

# BSG500KTL-A

## Non-isolated PV Grid-tied Inverter



### Performance Features

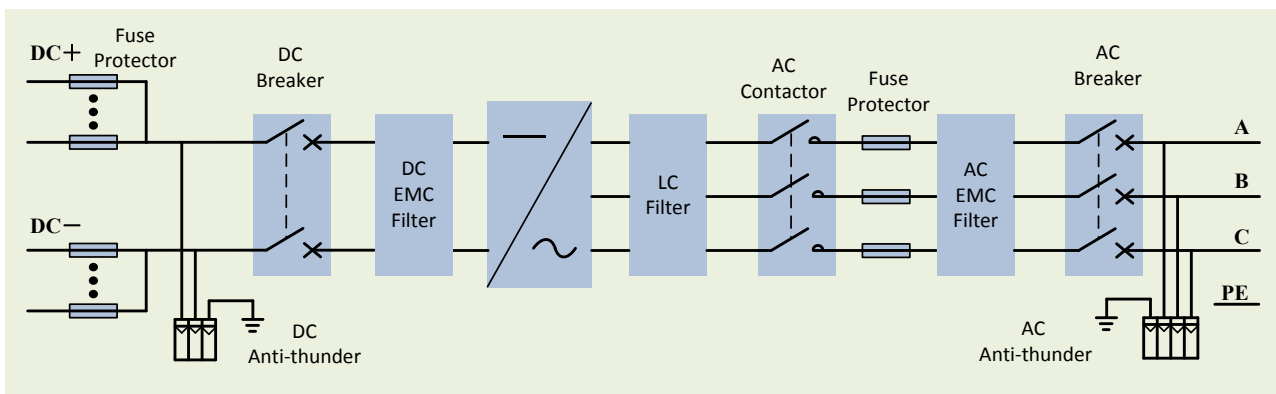
- Wide DC voltage input range, max. voltage up to 1000V
- Output harmonic wave is small, max. efficiency is up to 98.5%
- Sustainable operation under the environment temperature of 40°C  
operate with the power of 110%
- Wide MPPT tracking range and high efficiency MPPT
- IP 54 protection grade, installation both indoors and outdoors
- Adjustable reactive power
- Active power derating
- Thin-film capacitor design improve the system service life
- Having night SVG function, response the grid modulation command  
all weather

- CQC,CGC Certification , low voltage ride through

### Brief Introduction

The conversion efficiency of BSG500KTL-A Non-isolated PV Grid-tied Inverter is up to 98.5% with IP54 protection grade design, which is installed indoors, outdoors or containers, applicable to large-medium PV station, with the advantages of high conversion efficiency, high generation, reliable operation and strong stability.

### System Topological Graph



### Technical Parameters

<b>Parameters at DC Side</b>	Max. DC Voltage	1000Vdc
	Max. Power Voltage Tracking Range	450-820Vdc
	Max. Input Power	612kW
	Max. Input Current	1200A
	Max. Input Channels/Connection Point	8/16 DC Breaker Connection

# BSG500KTL-A

## Non-isolated PV Grid-tied Inverter

<b>Parameters at AC Side</b>	Nominal Output Power	500kW
	Nominal Grid Voltage	270Vac
	Grid Voltage Range	230~297Vac
	Nominal Output Current	1069A
	Nominal Grid Frequency	50Hz
	Grid Frequency Range	48~50.5Hz
	Power Factor	0.8 (ahead)~0.8 (lag)
	THD	<3%(Nominal Power)
<b>System Parameter</b>	Isolation Method	Isolation without Transformer
	Max. Efficiency	98.5%
	European Efficiency	98 %
	Enclosure Protection Grade	IP54 (Indoors or Outdoors)
	Allowable Environment Temperature	-25~+55℃
	Allowable Relative Humidity	5~95% (No Condensation)
	Allowable Max. Altitude	6000m(3000m+ Derating)
	Noise	<70dB
	Cooling Method	Intelligent Forced Air Cooling
	Self-consumption of Electricity at Night	<80W
	Fresh Air Consumption	10000m3/h
<b>Display</b>		Touch Screen
<b>Communication Interface</b>		RS485
<b>Protection Function</b>	Short-circuit Protection	√
	Over-load Protection	√
	DC Over-voltage and Under-voltage Protection	√
	Grid Monitoring	√
	Insulation Monitoring	√
	Over-temperature Protection	√
	DC Reverse Polarity Protection	√
	Islanding Protection	Active and Passive Detection
<b>Mechanical Parameter</b>	Dimension (W/L/D) (mm)	2200/800/2200
	Weight (kg)	1850
<b>Reference Standard</b>	EMC	IEC 61000-6-2、IEC 61000-6-4
	Safety	IEC 62109-1
	On-grid	GB/T 19939-2005、CGC/GF004:2011
<b>Product Certification</b>		CQC、CGC、Low-voltage Ride Through