

BSG630KTL-A

Non-isolated PV Grid-tied Inverter



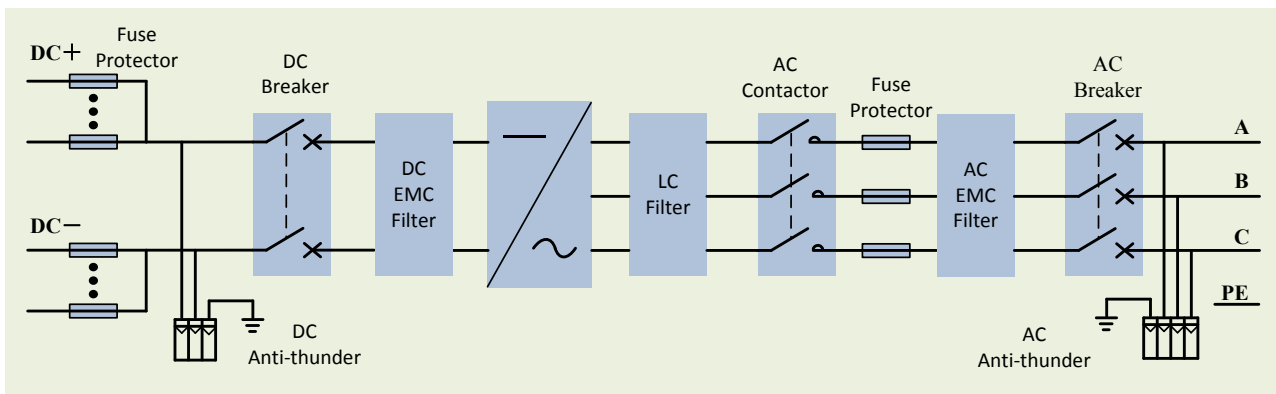
Performance Features

- Wide DC voltage input range, max. voltage up to 1000V
- Output harmonic wave is small, max. efficiency is up to 98.5%
- Sustainable operation under the environment temperature of 40°C
operate with the power of 110%
- Wide MPPT tracking range and high efficiency MPPT
- IP 54 protection grade, installation both indoors and outdoors
- Adjustable reactive power
- Active power derating
- Thin-film capacitor design improve the system service life
- Having night SVG function, response the grid modulation command
all weather

Brief Introduction

The conversion efficiency of BSG630KTL-A Non-isolated PV Grid-tied Inverter is up to 98.5% with IP54 protection grade design, which is installed indoors, outdoors or containers, applicable to large-medium PV station, with the advantages of high conversion efficiency, high generation, reliable operation and strong stability.

System Topological Graph



Technical Parameters

Parameters at DC Side	Max. DC Voltage	1000Vdc
	Max. Power Voltage Tracking Range	500-820V
	Max. Input Power	756kW
	Max. Input Current	1280A
	Max. Input Channels/Connection Point	8/16 DC Breaker Connection
Parameters at AC Side	Nominal Output Power	630kW
	Nominal Grid Voltage	315Vac

BSG630KTL-A

Non-isolated PV Grid-tied Inverter

	Grid Voltage Range	268~347Vac
	Nominal Output Current	1155A
	Nominal Grid Frequency	50Hz
	Grid Frequency Range	48~50.5Hz
	Power Factor	0.8 (ahead)~0.8 (lag)
	THD	<3% (Nominal Power)
System Parameter	Isolation Method	Isolation without Transformer
	Max. Efficiency	98.5%
	European Efficiency	98 %
	Enclosure Protection Grade	IP54 IP54 (Indoors or Outdoors)
	Allowable Environment Temperature	-25~+55℃
	Allowable Relative Humidity	5~95% (No Condensation)
	Allowable Max. Altitude	6000m (3000m+ Derating)
	Noise	<70dB
	Cooling Method	Intelligent Forced Air Cooling
	Self-consumption of Electricity at Night	<80W
Fresh Air Consumption	10000m ³ /h	
Display		Touch Screen
Communication Interface		RS485
Protection Function	Short-circuit Protection	√
	Over-load Protection	√
	DC Over-voltage and Under-voltage Protection	√
	Grid Monitoring	√
	Insulation Monitoring	√
	Over-temperature Protection	√
	DC Reverse Polarity Protection	√
	Islanding Protection	Active and Passive Detection
Mechanical Parameter	Dimension (W/L/D) (mm)	2200/800/2200
	Weight (kg)	2000
Reference Standard	EMC	IEC 61000-6-2、 IEC 61000-6-4
	Safety	IEC 62109-1
	On-grid	GB/T 19939-2005、 CGC/GF004:2011